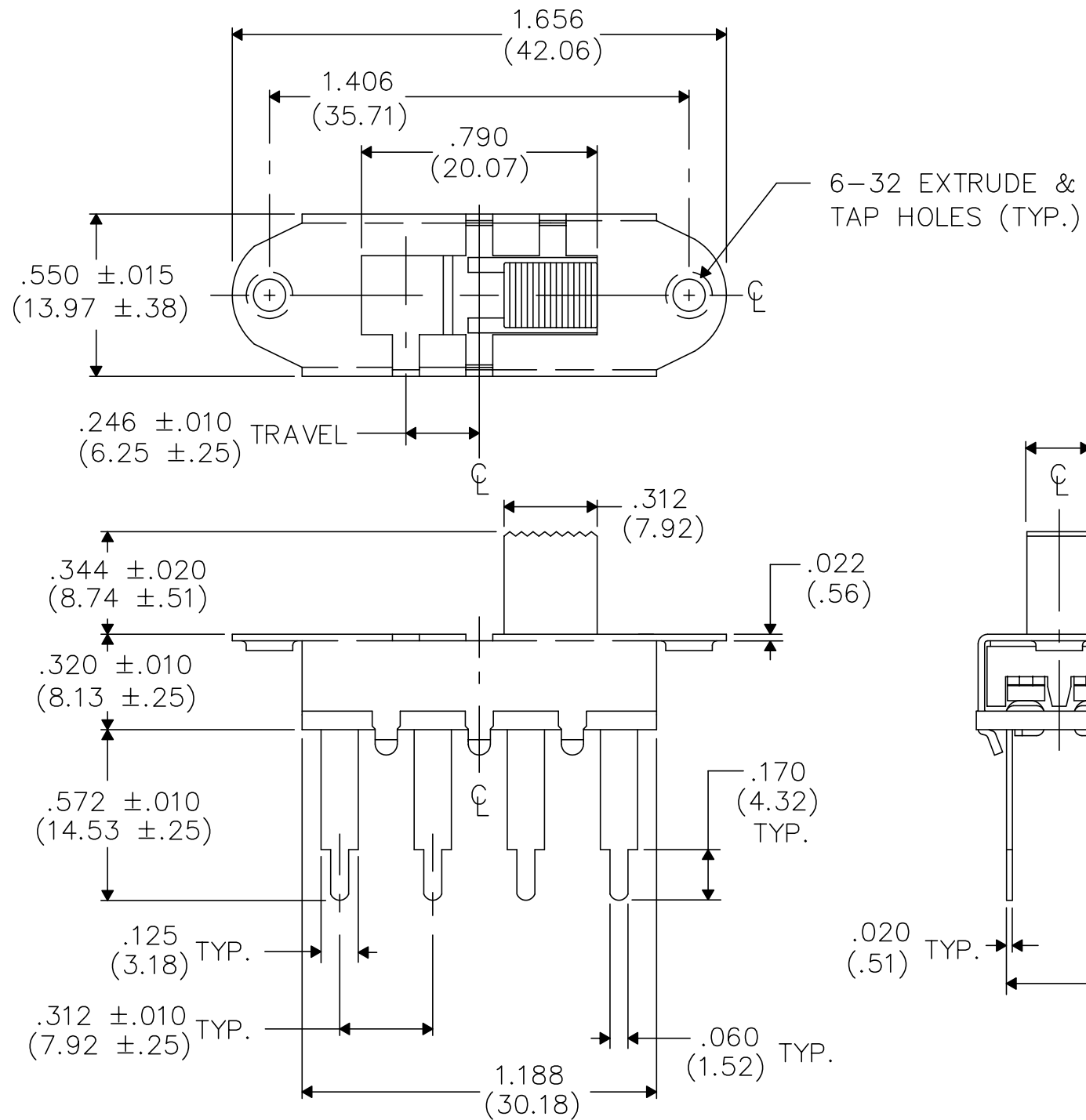
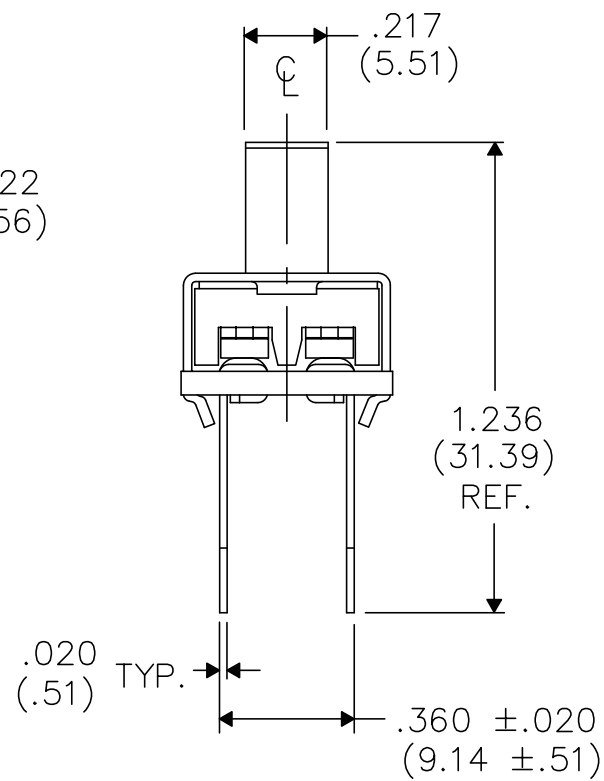
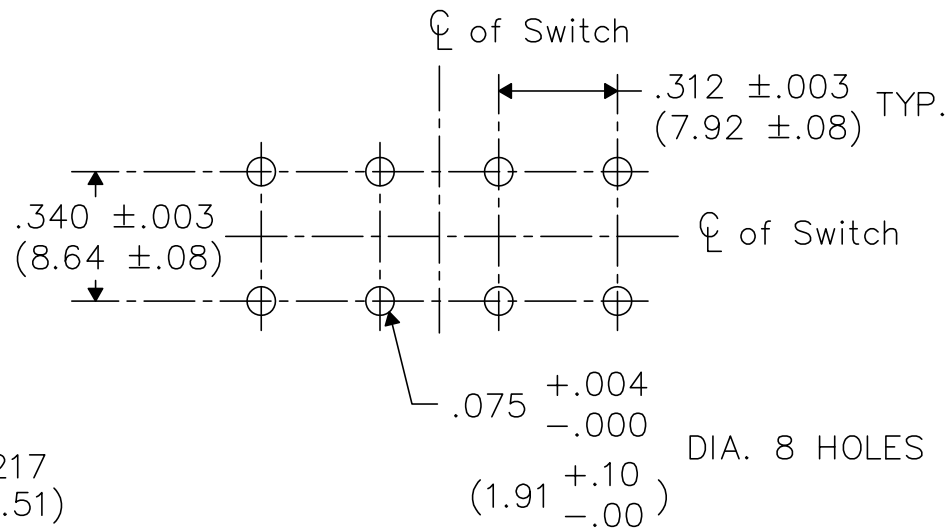


DIMENSIONS IN INCHES (MILLIMETERS)
DO NOT SCALE DRAWING

Dwg. No.
G-628S-0024



P.C. LAYOUT



1 2 3 4 5 6 7 8 9 10

B-FORMAT 2002

REVISIONS

0

RELEASED.
DGW 3-23-2004
MAY 03, 2004

CW INDUSTRIES
Southampton, Pa. 18966

TOLERANCES UNLESS OTHERWISE SPECIFIED
2 Place Decimal ±.010 METRIC
3 Place Decimal ±.005 1 Place Dec. ±.25mm
Angles ±1' 2 Place Dec. ±.13mm

Made for: CW IND.
Drawn by: DGW 3-23-2004
Checked by: GG 4-13-04
Approval: BF 4-26-4

Title: SLIDE SWITCH ASSEMBLY
D.P.- 3 POS.

Division: SWITCH
Dwg. No. G-628S-0024

PDF File Made